

**ABATTITORI CONGELATORI
BLAST CHILLERS AND FREEZERS**

**BLAST CHILLER/FREEZER 6 GN 1/1
LENGTHWISE**

Code	Avv*Model	Description	Ref.	Page	Brand
726638	09 AAFP061	Blast chiller/freezer 6gn 1/1	a	2 3 4 5	Electrolux
726633	07 AAFP061	Blast chiller 6gn 1/1	b	2 3 4 5	Electrolux
726656	10 AAFP061T	Blast chiller/freezer 6gn 1/1 disposition with cook	c	2 3 4 5	Electrolux
726619	08 AAFP061T	Blast chiller 6gn 1/1 disposition with cook	d	2 3 4 5	Electrolux
726298	15 AAFP061U	Blast chiller/freezer 6gn 1/1 USA 208 V	e	2 3 4 5	Electrolux
726342	15 AAFP061TU	Blast chiller/freezer 6gn 1/1 USA disposition with oven	f	2 3 4 5	Electrolux
726379	08	Blast chiller 6gn 1/1 380-400 \3+n\60 hz	g	2 3 4 5	Electrolux
726385	09	Blast chiller tower 6gn 1/1 380-400 \3+n\60 hz	h	2 3 4 5	Electrolux
726406	08	Blast chiller\freezer 6gn 1/1 380-400 \3+n\60 hz	i	2 3 4 5	Electrolux
726451	09	Blast chiller\freezer tower 6gn 1/1 380-400 \3+n\60 hz	l	2 3 4 5	Electrolux
726662	07 AAFP061U4	Blast chiller/freezer 6gn 1/1 USA 240\3\60	m	2 3 4 5	Electrolux
726663	10 AAFP061TU4	Blast chiller/freezer 6gn 1/1 USA disposition with oven 240\3\60	n	2 3 4 5	Electrolux
726691	15 AAFP061	BLAST CHILLER 30KG 6 GN1/1 LW (cruise)	o	2 3 4 5	Electrolux
726692	15 AAFP061T	BLAST CHILLER 30KG 6 GN1/1 LW TOWER(cruise)	p	2 3 4 5	Electrolux
880111	02	kit wheels		2 3	
881011	03	TOWER EXEC.SUPP. F.OVEN 6GN+30KG BC/BCF (cruise)	q	2 3	
726698	15 AAFP061C	BLAST C/FREEZER 30/25KG 6 GN1/1 LW (cruise)	t	2 3 4 5	Electrolux
726699	15 AAFP061CT	BLAST C/FREEZER 30/25KG 6GN1/1 LW TOWER (cruise)	u	2 3 4 5	Electrolux
726951	08 AAFP061CTU	BLAST C/FREEZER 30/25KG 6GN1/1 TOWER-208/3/60 usa (cruise)	v	2 3 4 5	Electrolux
726974	08 AAFP061CTU4	BLAST C/FREEZER 30/25KG 6GN1/1 TOWER-240 (cruise)	z	2 3 4 5	Electrolux
726948	08 AAFP061CU	BLAST C/FREEZER 30/25KG 6 GN1/1 LW-208V (cruise)	w	2 3 4 5	Electrolux
726973	08 AAFP061CU4	BLAST C/FREEZER 30/25KG 6 GN1/1 LW-240V (cruise)	k	2 3 4 5	Electrolux
727185	02 AAFP061C2	BLAST C/FREEZER 30/25KG LW (cruise)	r	2 3 4 5	Electrolux

Has been change the user board and food probes from ser.N°01700001 due to a new connectors. Please for other information look the tec.doc n°VTX.2010-03

Pag. Indice

- 2 Armadio
- 3 Lista ricambi
- 4 Gruppo refrigerante
- 5-6 Lista ricambi

Index

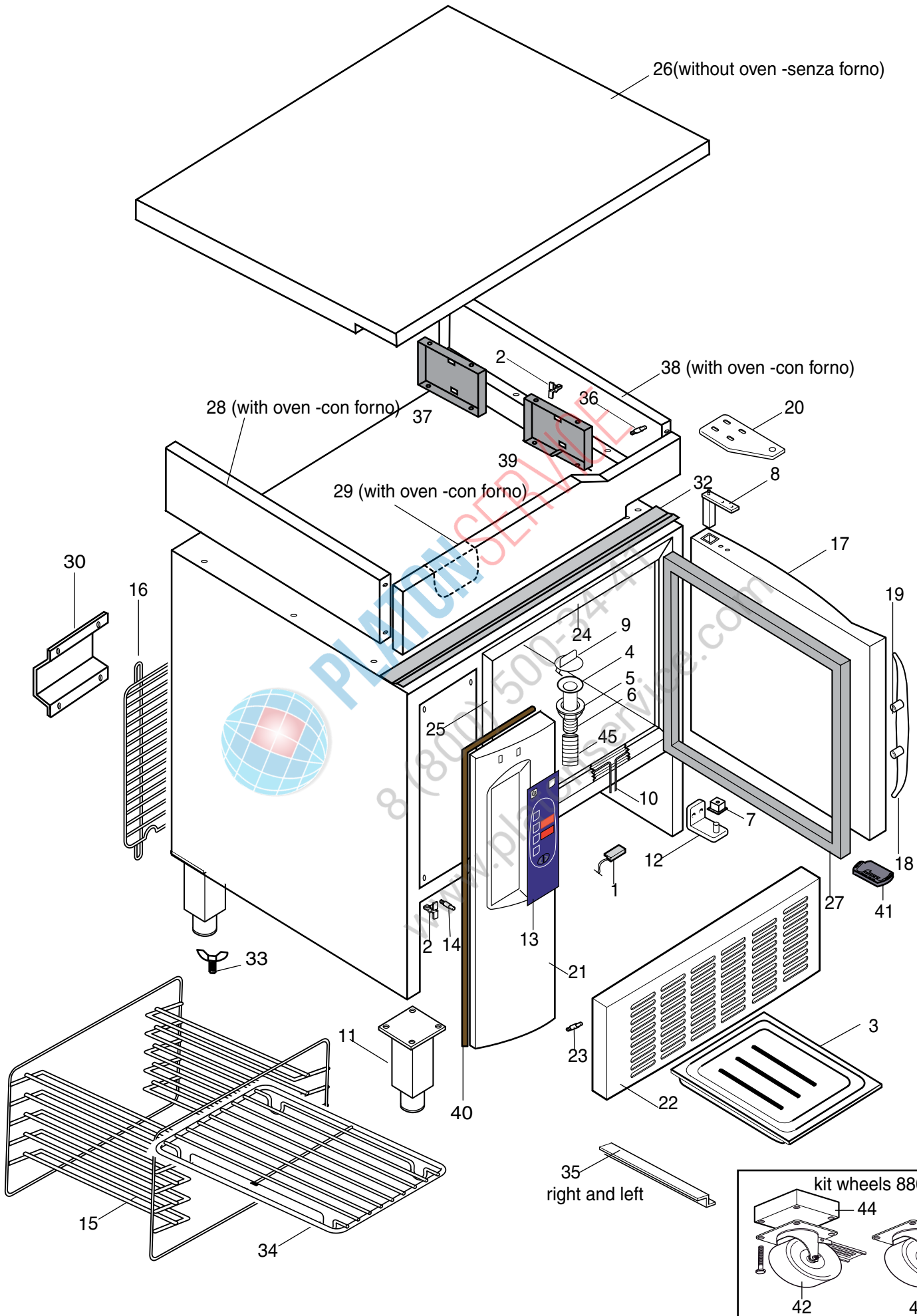
- Cabinet
- Spare parts list
- Cooling unit
- Spare parts list

Marchio / Brand: E

Paese / Country: Tutti / All

(Note: AV*= up date code until to number descript)

(Note:AV*= aggiornato fino al numero descritto)

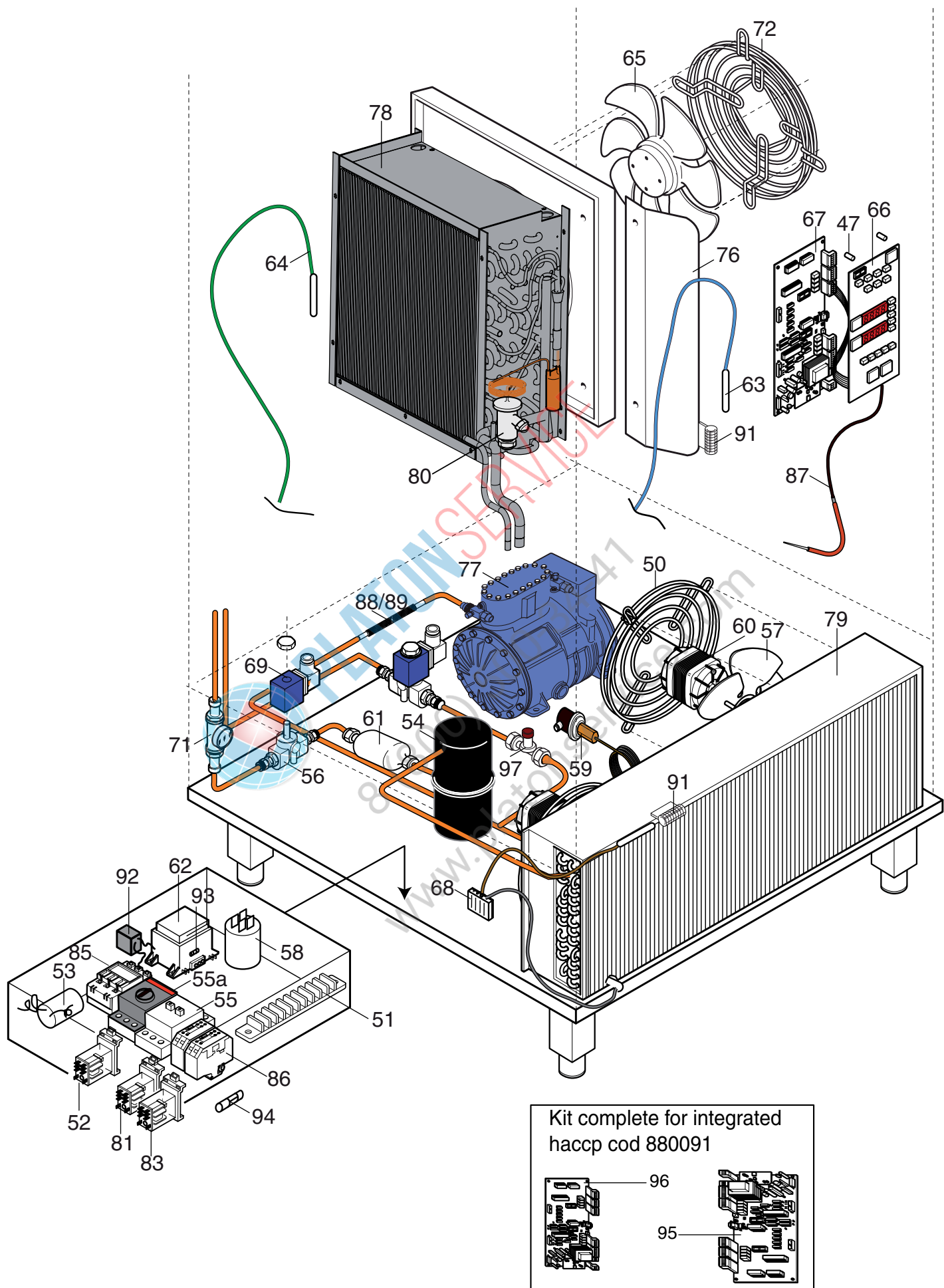


Blast Chiller/Freezer LengthWise 6 gn 1/1

PNC	REF	PNC	REF	PNC	REF	PNC	REF	PNC	REF
726638	a	726385	h	881011	q	727185	r		
726633	b	726406	i	726948	w				
726656	c	726451	l	726973	k				
726619	d	726662	m	726698	t				
726298	e	726663	n	726699	u				
726342	f	726691	o	726951	v				
726379	g	726692	p	726974	z				

Pos	Code	Descrizione	Description	Ref. / Notes
1	049621	Sensore magnetico	Magnetic sensor	
2	053342	Molla arresto marchio	Spring for brand	
3	080803	Bacinella	Basin	
4	083591	Piletta	Pipe	
5	083592	Controdado per piletta	Nut for pipe	
6	083593	Portagomma per piletta	Rubber support for pipe	
7	083875	Boccola per cerniera	Hinge bush	
7	081654	Boccola per cerniera	Hinge bush	o,p,e,f,v,z,w,k,m,r
8	083876	Cerniera lato porta	Door side hinge	
9	088089	Tappo per piletta	Plug	
10	084730	Cavo riscaldante	Heating cable	
10	099130	Cavo riscaldante	Heating cable	e,f,n,v,w,
10	099502	Cavo riscaldante	Heating cable	m,z,k
11	089651	Piedino quadro	Foot squared	until to ser. n°712....
11	048579	Piedino rotondo	Foot rounded	
12	088335	Cerniera inferiore	Lower bracket	
13	088337	Membrana comandi	Control sticker	a,c,i,m
13	088362	Membrana comandi	Control sticker	b,d,g,h
13	099918	Membrana comandi (cruise)	Control sticker(cruise)	o,p
13	099919	Membrana comandi (cruise)	Control sticker(cruise)	q,t,u,r
13	091775	Membrana comandi (cruise)usa	Control sticker(cruise) usa	v,z,w,k
13	099110	Membrana comandi	Control sticker	e,f,m,n
14	099137	Perno per cruscotto	Pin for control panel	
15	088454	Struttura porta teglie	Tray support 6gn 1/1	
15	099131	Struttura porta teglie	Tray support 6gn 1/1	e,f,m,n,v,z,w,k
15	833R19501	Struttura porta teglie "gelato"	Tray support 6gn 1/1 Ice cream	,r
16	088455	Copertura posteriore	Back side grid	
17	099910	Porta con scritta sabbiata	Door (with brand write)	
18	088333	Maniglia	Handle	
19	088340	Distanziale per maniglia	Handle bush	
20	088457	Staffa superiore	Upper bracket	
21	088458	Pannello comandi	Control panel	
21	099132	Pannello comandi	Control panel	e,m
21	099920	Pannello comandi (new)	Control panel (new)	o,p,e,f,t,u,v,z,w,k,r
22	088459	Pannello condensatore	Condenser panel	
23	050168	Perno	Pin	
24	099133	Cornice orizzontale	Horizontal frame	
24	099914	Cornice orizzontale	Horizontal frame	o,p,e,f,t,u,v,z,w,k,r
25	099134	Cornice verticale	Vertical frame	
25	099913	Cornice verticale	Vertical frame	o,p,e,f,t,u,v,z,w,k,r
26	088464	Sopralzo (senza forno)	Top (without oven)	e,m,o,t,w,k,r
27	089689	Guarnizione porta	Door gasket	
27	099135	Guarnizione porta	Door gasket	e,f,m,n,v,z,w,k
28	088466	Coperture laterale (con forno) sx	Side cover (with oven) lefth	f,c,d,h,l,n,p ,q,v,z,
29	099141	Copertura frontale (con forno)	Front cover (with oven)	f,c,d,h,l,n,p,q,v,z,
30	088468	Distanziali	Spacer	
31	0L0113	Guarnizione a soffietto	Brown gasket	
32	088465	Traversa anteriore per top	Front support for top	e,m,o,t,u,w,k,r
33	090008	Vite ad alette	Screw for grid support	
34	099136	Griglia gn 1/1	Shelf	e,f,m,v,z,w,,k
35	089977	Guida per bacinella	Guide for basin	
36	099137	Perno	Pin	f,c,d,h,l,n,p,q,v,z,
37	099138	Supporto per forno	Oven support	f,c,d,h,l,n,p,q,v,z,
38	099139	Coperture laterale (con forno) dx	Side cover (with oven) Right	f,c,d,h,l,n,p,q,v,z,
39	099140	Supporto per forno lato cerniera	Oven support (near hinge)	f,c,d,h,l,n,p,q,v,z,
40	088264	Guarnizione a soffietto	Gasket	
41	099909	Ass. dispositivo blocco porta	Door stopper	o,p,e,f,t,u,v,z,w,k,r
42	091218	Ruota con freno	Wheel with brake	e,f,m,n,w,k,
43	091219	Ruota	Wheel	e,f,m,n,w,k,
44	091220	Distanziale	Spacer for wheels	e,f,m,n,w,k,
45	091336	Tubo flessibile	Discharge pipe	

* Componenti disponibili a richiesta / Component available upon request



Blast Chiller/Freezer LengthWise 6 gn 1/1

PNC	REF	PNC	REF	PNC	REF	PNC	REF	PNC	REF
726638	a	726385	h	881011	q	727185	r		
726633	b	726406	i	726948	w				
726656	c	726451	l	726973	k				
726619	d	726662	m	726698	t				
726298	e	726663	n	726699	u				
726342	f	726691	o	726951	v				
726379	g	726692	p	726974	z				

Pos	Code	Descrizione	Description	Ref. / Notes
47	088653	Distanziale scheda	Spacer	
50	0A9728	Protezione ventola condensatore	Fan protection for condenser	
51	082125	Morsetti	Clamp	
52	083215	Rele` per valvole solenoidi RS	Relay for solenoid valve RS	a,c,e,f,i,l,m,n,v,w,k,r(60.62.8.230)
53	083406	Condensatore elettrico 5 mf vent. cell.	Electric condenser 5 mf cell vent.	
53	091870	Condensatore elettrico 6 mf vent. cell.	Electric condenser 6 mf cell vent.	e,f,m,n,v,z,w,k
54	083468	Serbatoio di liquido	Liquid tank	
54	088114	Serbatoio di liquido	Liquid tank	e,f,m,n,v,z,w,k
55	083472	Magneto termico Weber 4 - 6.3A	Compressor switch	until to ser.n°07380000 order 640R00500
55	083508	Magneto termico Weber 6.3 -10A	Compressor switch	e,f,m,n,v,z until to ser.n°07380000 order 640R00600
55a	091706	Magneto termico ABB 6.3 -10A	Compressor switch	w,y,k
55a	091705	Magneto termico ABB 4 - 6.3 A	Compressor switch	e,f,m,n,v,z,r
56	084085	Corpo valvola solenoide	Solenoid valve	
56	090093	Corpo valvola solenoide	Solenoid valve	e,f,m,n,v,z,w,k
57	084780	Ventola condensatore	Condenser fan	
57	084781	Ventola condensatore	Condenser fan	g,h,i,l
58	084987	Filtro elettrico	Electric filter	
58	090092	Filtro elettrico	Electric filter	e,f,m,n,v,z,w,k
59	085088	Pressostato di alta pressione	Pressure switch for high pressure	30 bar /70°C
60	087168	Ventilatore per condensatore	Motor ventilator for condenser	
60	099143	Ventilatore per condensatore	Motor ventilator for condenser	e,f,m,n,v,z,w,k
61	087438	Filtro deidratore	Dehydrator filter	
62	087662	Trasformatore	Voltage adaptor	
62	090091	Trasformatore	Voltage adaptor	e,f,v,w
62	099505	Trasformatore	Voltage adaptor	m,n,z,k
63	092177	Sonda cella colore blu	Cell probe blue color	
64	093531	Sonda evaporatore Colore grigio	Probe evaporatore grey color	See TB VTX2017_04
65	088342	Ventilatore cella	Motor ventilator for cell	
65	090086	Ventilatore cella	Motor ventilator for cell	e,f,v,w
65	099506	Ventilatore cella	Motor ventilator for cell	m,n,z,k
66	088343	Scheda pulsanti	Board user	
66	099912	Scheda pulsanti (cruiser) Old con.tors	Board user (cruiser) Old con.tors	o,p,q,t,u,v,z,w,k,r until to ser.N°01600001
66	092701	Scheda pulsanti (cruiser) new con.tors	Board user (cruiser) new con.tors	o,p,q,t,u,v,z,w,k,r from serial n°01700001
67	088344	Scheda principale (senza cruiser)	Board main (witout cruiser)	a,b,c,d,e,f,g,h,i,l,m,n to be seted
67	099911	Scheda principale (cruiser)	Board main (cruiser)	o,p,v,z,w,k (t,u,r only until to ser.N°942000..) to be seted
67	092521	Scheda principale (cruiser) rel-1,63	Board main (cruiser)rel-1,63	t,u,r from to ser.N°943000001 (look tec.doc. VTX2009-12)
68	088345	Sonda condensatore -ambiente	Condenser-ambient probe	
69	088351	Bobina per valvola	Coil	
69	090088	Bobina per valvola	Coil	e,f,m,n,v,z,w,k
71	088353	Indicatore di liquido	Liquid indicator	
72	088354	Griglia ventilatore cella	Cell fan protection	
76	088472	Deflettore aria anteriore	Front conveyer air	
77	088473	Compressore H180CS	Compressor H180CS	a,c,q,t,u,r (380/420V/3/50HZ)
77	088470	Compressore H180CC	Compressor H180CC	b,d,o,p, (380/420V/3/50HZ)
77	099651	Compressore H150CC	Compressor H150CC	g,h,i,l (230/380-400/3/60)
77	099144	Compressore H150CC	Compressor H150CC	e,f,w (208-230/3/60UL-CSA APPRO)
77	099510	Compressore H150 CCK	Compressor H150 CCK	m,n,v,z,k (208-230/3/60 UL-CSA PR.TH.)
78	088474	Evaporatore	Evaporator	
79	088481	Condensatore	Condenser	
79	099145	Condensatore	Condenser	e,f,m,n,v,z,w,y,k
80	088475	Valvola termostatica -40 -15	Thermostatic valve -40 -15	a,c,e,f,i,l,m,n,t,u,v,z,w,k,r
80	088469	Valvola termostatica -40 -5	Thermostatic valve -40 -5	b,d,g,h,o,
81	088197	Rele` per compressore RA	Relay for compressor RA	(62.83.8.230)
83	056510	Rele` per valvole solenoidi RG	Relay for solenoid valve RG	(62.33.8.024)
85	088477	Teleruttore	Switch	

* Componenti disponibili a richiesta / Component available upon request

Blast Chiller/Freezer LengthWise 6 gn 1/1

PNC	REF	PNC	REF	PNC	REF	PNC	REF	PNC	REF
726638	a	726385	h	881011	q	726948	w		
726633	b	726406	i	727098	r	726973	k		
726656	c	726451	l	727097	s	727185	r		
726619	d	726662	m	726698	t				
726298	e	726663	n	726699	u				
726342	f	726691	o	726951	v				
726379	g	726692	p	726974	z				

Pos	Code	Descrizione	Description	Ref. / Notes
85	099090	Teleruttore	Switch	e,f,g,h,i,l,m,n,v,z,w,k
86	089865	Porta fusibile (fusibile da 4 AMP)	Suypport fuse (fuse 4 ampere)	
87	092704	Spillone 1 punto new connectors	Food probe 1 sensor	
87	092705	Spillone 3 punti new connectors	Food probe 3 sensor	v,z,w,k,o,p,t,u,r
88	088479	Giunto antivibrante 12 mm	Vibration-damping joint 12 mm	
89	088480	Giunto antivibrante 16 mm	Vibration-damping joint 16 mm	
90	088653	Distanziale per scheda pulsanti	Spacer for user board	
91	088602	Gabbietta per sonda	Probe protection	
92	099146	Filtro elettrico	Electric filter	e,f,n,v,z,w
92	088628	Filtro elettrico	Electric filter	o,p,r
93	090094	Fusibile per trasformatore 125 MA	Adaptor fuse 125 MA	e,f,v,w
93	099513	Fusibile per trasformatore 125 MA	Adaptor fuse 125 MA	m,n,z,k
94	088227	Fusibile 4A x circuito di comando	Comand circuit fuse for 4A	e,f,m,n,v,z,w,k
94	090017	Fusibile 4A 5x20 circuito di comando	Comand circuit fuse for 4A	o,p,r
95	*	Scheda principale per Haccp	Haccp main board	(param.map on web site)
96	088570	Scheda haccp	Haccp board	
97	091544	Tappo fusibile	Hight pressure fuse	e,f,v,z,w,k



PLATON SERVICE
8 (800) 500-34-41
www.platonservice.com

* Componenti disponibili a richiesta / Component available upon request